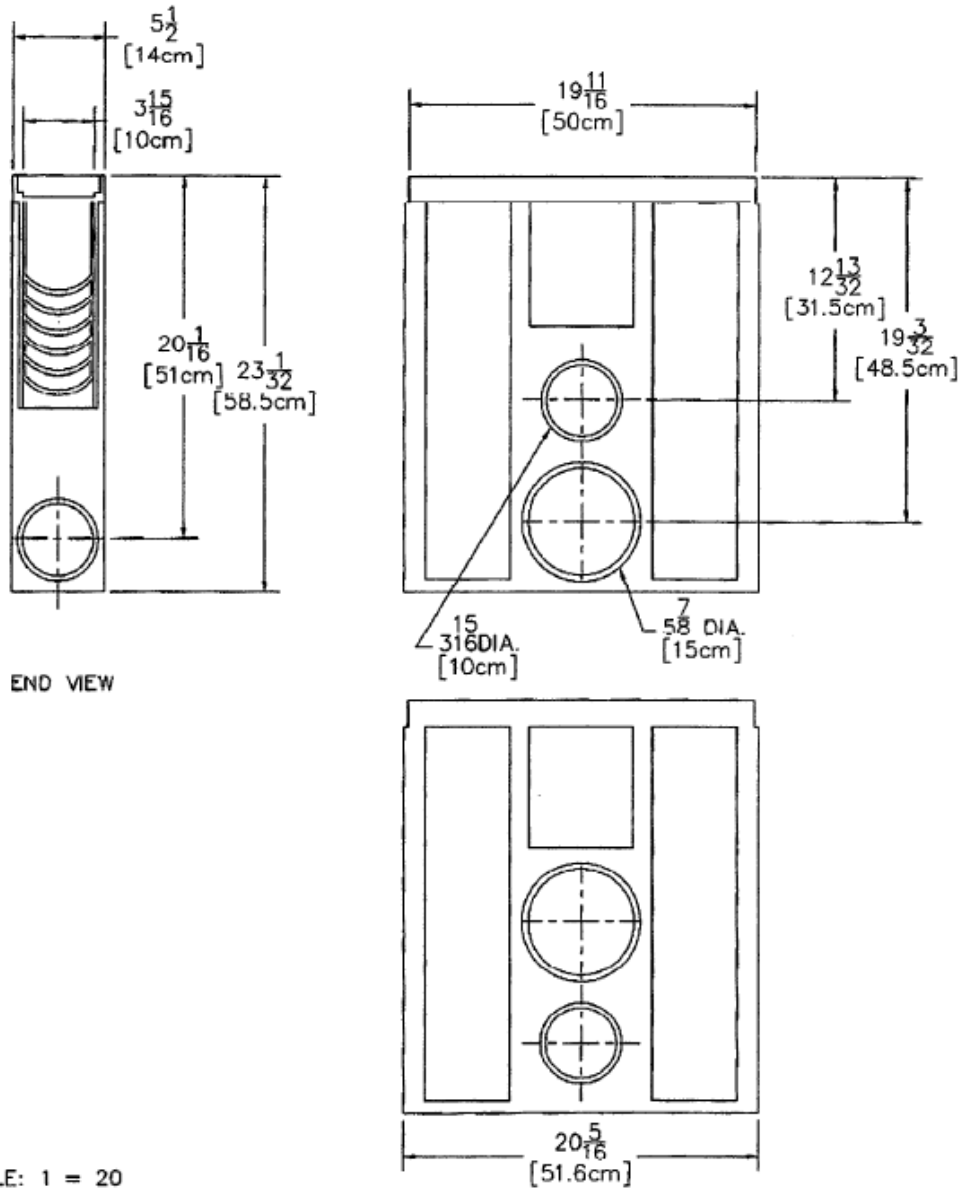


<p>Number</p> <p style="text-align: center;">157291</p>	<p>Series</p> <p style="text-align: center;">CPS604</p> <p style="text-align: center;">Polymer Concrete Catch Basin</p>
---	---



END VIEW

SCALE: 1 = 20

Manufacturer



Quality engineered trench drain system

Specification

MEA-JOSAM SERIES EN1000 EK POLYMER CONCRETE CATCH BASIN WITH GALVANIZED STEEL SEDIMENT BUCKET AND INTEGRAL CAST IRON PROTECTED EDGE. SUPPLIED BY TRENCH DRAIN SUPPLY.

DISCLAIMER - The customer and the customer's architects, engineers, consultants, and other professionals are completely responsible for the selection installation and maintenance of any product purchased from Trench Drain Supply and/or its manufacturers. TRENCH DRAIN SUPPLY MAKES NO WARRANTY, EXPRESS OR IMPLIED, AS TO THE SUITABILITY, DESIGN, MERCHANTABILITY, OR FITNESS OF THE PRODUCT FOR CUSTOMERS APPLICATION. The drawing and information provided remain the property and copyright of the manufacturer listed. The manufacturer reserves the right to modify specification without notice.